

# CONDENSER TUBE EXPANDER



**TUBE TOOLS**

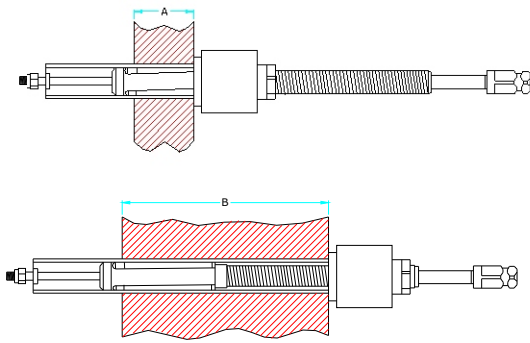
## 'B1200' SERIES FEATURES:

Tube O. D.  
1 1/2" - 1.1/2"

- Use - This is recommended for heat exchanger & condenser with tubes of 5/8" - 1.1/2" O.D. & thick tube sheets.



Sizes Available : 1/2" O.D. to 1.1/2" O.D.  
Tube Internal diameter : 8.4mm (0.334") to 36.3mm (1.43")  
Roller Length of Tube Expander: 1.1/2" (38.1mm) & 2.1/4" (57.1mm)



TUBE EXPANDERS FITTED WITH ROLLER LENGTH		FOR TUBE SHEET ADJUSTABLE RANGE	
		MINIMUM A	MAXIMUM B
(38.1mm) 1.1/2"	STD. REACH	(38.1mm) 1.1/2"	(152.4mm) 6"
	"A" REACH	(38.1mm) 1.1/2"	(203.2mm) 8"
	"B" REACH	(38.1mm) 1.1/2"	(253.8mm) 10"
	"C" REACH	(38.1mm) 1.1/2"	(304.6mm) 12"
(57.1mm) 2.1/4"	"D" REACH	(38.1mm) 1.1/2"	(355.6mm) 14"
	STD. REACH	(57.1mm) 2.1/4"	(171.4mm) 6.3/4"
	"A" REACH	(57.1mm) 2.1/4"	(222.1mm) 8.3/4"
	"B" REACH	(57.1mm) 2.1/4"	(272.8mm) 10.3/4"
"C" REACH	(57.1mm) 2.1/4"	(323.6mm) 12.3/4"	
"D" REACH	(57.1mm) 2.1/4"	(374.6mm) 14.3/4"	

Tube O.D. (Mm) inch	Tube Thickness		Tube I. D.		Minimum I. D. Tool Enters		Maximum Expansion of Tool		EXPANDER with (38.10mm) 1.1/2" Long rollers			EXPANDER with (57.15mm) 2.1/4" Long rollers			Ratchet Size Square Inch	
	Bwg	Inch	Mm	Inch	Mm	Inch	Mm	Inch	Mm	Complete Tool No.	Roller Set No.	Mandrel No.	Complete Tool No.	Roller Set No.		Mandrel No.
(12.70) 1/2	14	.083	2.10	.334	8.4	.324	8.2	.374	9.5	B1197	797	1197	-	-	-	3/8
	15	.072	1.82	.356	9.0	.348	8.8	.398	10.1	B1199	R-1	M-199	-	-	-	
	16	.065	1.65	.370	9.4	.360	9.2	.410	10.4	B1201	R-1	M-51	-	-	-	
	17	.058	1.47	.384	9.7	.374	9.5	.424	10.7	B1203	R-2	M-51	-	-	-	3/8
	18	.049	1.24	.402	10.2	.392	9.9	.447	11.3	B1205	R-3	M-52	-	-	-	
	20	.035	0.88	.430	10.9	.406	10.3	.461	11.7	B1205 S	R-3	M-53	-	-	-	
(15.88) 5/8	12	.109	2.76	.407	10.3	.392	9.9	.447	11.3	B1205	R-3	M-52	-	-	-	3/8
	13	.095	2.41	.435	11.0	.425	10.8	.480	12.1	B1207	R-4	M-53	-	-	-	
	14	.083	2.10	.459	11.6	.449	11.4	.509	12.9	B1209	R-4	M-54	B1210	R-4-A	M-54	
	15	.072	1.82	.481	12.2	.471	11.9	.536	13.6	B1211	R-5	M-55	B1212	R-5-A	M-55	3/8
	16	.065	1.65	.495	12.5	.485	12.3	.550	13.9	B1213	R-6	M-55	B1214	R-6-A	M-55	
	17	.058	1.47	.509	12.9	.499	12.6	.564	14.3	B1215	R-6	M-56	B1216	R-6-A	M-56	
	18	.049	1.24	.527	13.3	.517	13.1	.572	14.5	B1217	R-7	M-57	B1218	R-7-A	M-57	3/8
	19	.042	1.06	.541	13.7	.522	13.2	.582	14.7	B1219	R-7	M-56	B1220	R-7-A	M-56	
	20	.035	0.88	.555	14.1	.536	13.6	.596	15.1	B1219S	R-7	M-58	B1220S	R-7-A	M-58	
	21	.032	0.81	.561	14.2	.536	13.6	.596	15.1	B1219S	R-7	M-58	B1220S	R-7-A	M-58	
22	.028	0.71	.569	14.4	.536	13.6	.596	15.1	B1219S	R-7	M-58	B1220S	R-7-A	M-58		
(19.05) 3/4	10	.134	3.40	.482	12.2	.471	11.9	.536	13.6	B1211	R-5	M-55	B1212	R-5-A	M-55	3/8
	11	.120	3.04	.510	12.9	.499	12.6	.564	14.3	B1215	R-6	M-56	B1216	R-6-A	M-56	
	12	.109	2.76	.532	13.5	.522	13.2	.582	14.7	B1219	R-7	M-56	B1220	R-7-A	M-56	
	13	.095	2.41	.560	14.2	.550	13.9	.615	15.6	B1221	R-8	M-58	B1222	R-8-A	M-58	3/8
	14	.083	2.10	.584	14.8	.574	14.5	.639	16.2	B1223	R-9	M-58	B1224	R-9-A	M-58	
	15	.072	1.82	.606	15.3	.596	15.1	.661	16.7	B1225	R-10	M-58	B1226	R-10-A	M-58	
	16	.065	1.65	.620	15.7	.605	15.3	.685	17.4	B1227	R-10	M-59	B1228	R-10-A	M-59	3/8
	17	.058	1.47	.630	16.1	.619	15.7	.699	17.7	B1229	R-11	M-59	B1230	R-11-A	M-59	
	18	.049	1.24	.652	16.5	.619	15.7	.699	17.7	B1229	R-11	M-59	B1230	R-11-A	M-59	
	19	.042	1.06	.666	16.9	.642	16.3	.722	18.3	B1231	R-12	M-59	B1232	R-12-A	M-59	3/8
20	.035	0.88	.680	17.2	.642	16.3	.722	18.3	B1231	R-12	M-59	B1232	R-12-A	M-59		
21	.032	0.81	.686	17.4	.642	16.3	.722	18.3	B1231	R-12	M-59	B1232	R-12-A	M-59		
22	.028	0.71	.694	17.6	.642	16.3	.722	18.3	B1231	R-12	M-59	B1232	R-12-A	M-59		
(22.22) 7/8	10	.134	3.40	.607	15.4	.596	15.1	.661	16.7	B1225	R-10	M-58	B1226	R-10-A	M-58	3/8
	11	.120	3.04	.635	16.1	.619	15.7	.699	17.7	B1229	R-11	M-59	B1230	R-11-A	M-59	
	12	.109	2.76	.657	16.6	.642	16.3	.722	18.3	B1231	R-12	M-59	B1232	R-12-A	M-59	
	13	.095	2.41	.685	17.4	.670	17.0	.750	19.0	B1233	R-13	M-60	B1234	R-13-A	M-60	3/8
	14	.083	2.10	.709	18.0	.685	17.4	.774	19.6	B1235	R-14	M-61	B1236	R-14-A	M-61	
	15	.072	1.82	.731	18.5	.712	18.0	.801	20.3	B1237	R-15	M-61	B1238	R-15-A	M-61	
16	.065	1.65	.745	18.9	.726	18.4	.815	20.7	B1239	R-15	M-62	B1240	R-15-A	M-62	3/8	
17	.058	1.47	.759	19.2	.740	18.8	.829	21.0	B1243	R-16	M-62	B1244	R-16-A	M-62		
18	.049	1.24	.777	19.7	.740	18.8	.829	21.0	B1243	R-16	M-62	B1244	R-16-A	M-62		

# CONDENSER TUBE EXPANDER



**TUBE TOOLS**

## ★ 'B1200' SERIES

Tube O. D.  
1 / 2" - 1.1/2"

Tube O.D. (Mm) inch	Tube Thickness			Tube I. D.		Minimum I. D. Tool Enters		Maximum Expansion of Tool		EXPANDER with (38.10mm) 1.1/2" Long rollers			EXPANDER with (57.15mm) 2.1/4" Long rollers			Ratchet Size Square Inch	
	Bwg	Inch	Mm	Inch	Mm	Inch	Mm	Inch	Mm	Complete Tool No.	Roller Set No.	Mandrel No.	Complete Tool No.	Roller Set No.	Mandrel No.		
1 (25.40)	8	.165	4.19	.669	17.0	.654	16.6	.732	18.6	B1241	R-13	M-59	B1242	R-13-A	M-59	3/8	
	9	.148	3.75	.701	17.8	.685	17.4	.772	19.6	B1235	R-14	M-61	B1236	R-14-A	M-61		
	10	.134	3.40	.728	18.5	.709	18.0	.799	20.3	B1237	R-15	M-61	B1238	R-15-A	M-61		
	3/8	11	.120	3.04	.760	19.3	.760	19.3	.827	21.0	B1243	R-16	M-62	B1244	R-16-A	M-62	
		12	.109	2.76	.787	20.0	.787	20.0	.850	21.6	B1245	R-17	M-62	B1246	R-17-A	M-62	
		13	.095	2.41	.807	20.5	.807	20.5	.878	22.3	B1247	R-18	M-62	B1248	R-18-A	M-62	
	3/8	14	.083	2.10	.831	21.1	.835	21.2	.906	23.0	B1249	R-18	M-63	B1250	R-18-A	M-63	
		15	.072	1.82	.854	21.7	.835	21.2	.933	23.7	B1251	R-19	M-63	B1252	R-19-A	M-63	
		16	.065	1.65	.870	22.1	.862	21.9	.933	23.7	B1251	R-19	M-63	B1252	R-19-A	M-63	
	3/8	17	.058	1.47	.882	22.4	.862	21.9	.961	24.4	B1255	R-21	M-63	B1256	R-21-A	M-63	
		18	.049	1.24	.902	22.9	.862	21.9	.961	24.4	B1255	R-21	M-63	B1256	R-21-A	M-63	
		19	.042	1.06	.913	23.2	.862	21.9	.961	24.4	B1255	R-21	M-63	B1256	R-21-A	M-63	
		20	.035	0.88	.929	23.6	.862	21.9	.961	24.4	B1255	R-21	M-63	B1256	R-21-A	M-63	
	1.1/8 (28.58)	8	.165	4.19	.795	20.1	.776	19.7	.874	22.2	B1253	R-20	M-63	B1254	R-20-A	M-63	3/8
		9	.148	3.75	.827	21.0	.807	20.5	.906	23.0	B1249	R-18	M-63	B1250	R-18-A	M-63	
		10	.134	3.40	.854	21.7	.835	21.2	.933	23.7	B1251	R-19	M-63	B1252	R-19-A	M-63	
		1/2	11	.120	3.04	.882	22.4	.862	21.9	.961	24.4	B1255	R-21	M-63	B1256	R-21-A	M-63
			12	.109	2.76	.906	23.0	.882	22.4	.980	24.9	B1257	R-21	M-64	B1258	R-21-A	M-64
			13	.095	2.41	.933	23.7	.913	23.7	1.012	25.7	B1259	R-22	M-64	B1260	R-22-A	M-64
			14	.083	2.10	.957	24.3	.961	24.4	1.043	26.5	B1261	R-23	M-65	B1262	R-23-A	M-65
1/2		15	.072	1.82	.980	24.9	.961	24.4	1.071	27.2	B1263	R-24	M-65	B1264	R-24-A	M-65	
		16	.065	1.65	.992	25.2	.988	21.9	1.071	27.2	B1263	R-24	M65	B1264	R-24-A	M-65	
1/2		17	.058	1.47	1.01	25.6	.988	21.9	1.098	27.9	B1267	R-26	M-66	B1268	R-26-A	M-66	
		18	.049	1.24	1.03	26.0	.988	21.9	1.098	27.9	B1267	R-26	M-66	B1268	R-26-A	M-66	
1.1/4 (31.75)		8	.165	4.19	.920	23.3	.901	22.8	1.010	25.6	B1265	R-25	M-65	B1266	R-25-A	M-65	1/2
	9	.148	3.75	.954	24.2	.935	23.7	1.044	26.5	B1261	R-23	M-65	B1262	R-23-A	M-65		
	10	.134	3.40	.982	24.9	.962	24.4	1.071	27.2	B1263	R-24	M-65	B1264	R-24-A	M-65		
	1/2	11	.120	3.04	1.010	25.6	.990	25.1	1.099	27.9	B1267	R-26	M-66	B1268	R-26-A	M-66	
		12	.109	2.76	1.032	26.2	1.013	25.7	1.122	28.5	B1269	R-27	M-66	B1270	R-27-A	M-66	
		13	.095	2.41	1.060	26.9	1.039	26.4	1.150	29.2	B1271	R-28	M-67	B1272	R-28-A	M-67	
		14	.083	2.10	1.084	27.5	1.060	26.9	1.169	29.6	B1273	R-29	M-67	B1274	R-29-A	M-67	
	1/2	15	.072	1.82	1.106	28.0	1.087	27.6	1.196	30.3	B1275	R-30	M-67	B1276	R-30-A	M-67	
		16	.065	1.65	1.120	28.4	1.087	27.6	1.196	30.3	B1275	R-30	M-67	B1276	R-30-A	M-67	
	1/2	17	.058	1.47	1.134	28.8	1.115	28.3	1.224	31.0	B1279	R-30	M-68	B1280	R-30-A	M-68	
		18	.049	1.24	1.152	29.2	1.115	28.3	1.224	31.0	B1279	R-30	M-68	B1280	R-30-A	M-68	
	1.3/8 (34.92)	8	.165	4.19	1.045	26.5	1.026	26.0	1.135	28.8	B1277	R-31	M-67	B1278	R-31-A	M-67	1/2
9		.148	3.75	1.079	27.4	1.060	26.9	1.169	29.6	B1273	R-29	M-67	B1274	R-29-A	M-67		
10		.134	3.40	1.107	28.1	1.087	27.6	1.196	30.3	B1275	R-30	M-67	B1276	R-30-A	M-67		
1/2		11	.120	3.04	1.135	28.8	1.115	28.3	1.224	31.0	B1279	R-30	M-68	B1280	R-30-A	M-68	
		12	.109	2.76	1.157	29.3	1.133	28.7	1.242	31.5	B1281	R-32	M-68	B1282	R-32-A	M-68	
		13	.095	2.41	1.185	30.1	1.160	29.4	1.275	32.3	B1283	R-33	M-69	B1284	R-33-A	M-69	
1/2		14	.083	2.10	1.209	30.7	1.179	29.9	1.294	32.8	B1285	R-34	M-70	B1286	R-34-A	M-70	
		15	.072	1.82	1.231	31.2	1.206	30.6	1.321	33.5	B1287	R-35	M-70	B1288	R-35-A	M-70	
		16	.065	1.65	1.245	31.6	1.206	30.6	1.321	33.5	B1287	R-35	M-70	B1288	R-35-A	M-70	
1.1/2 (38.10)		8	.165	4.19	1.170	29.7	1.145	29.0	1.260	32.0	B1289	R-34	M-69	B1290	R-34-A	M-69	1/2
		9	.148	3.75	1.204	30.5	1.177	29.9	1.290	32.8	B1285	R-34	M-70	B1286	R-34-A	M-70	
		10	.134	3.40	1.232	31.2	1.206	30.6	1.321	33.5	B1287	R-35	M-70	B1288	R-35-A	M-70	
	1/2	11	.120	3.04	1.260	32.0	1.235	31.3	1.350	34.2	B1291	R-36	M-70	B1292	R-36-A	M-70	
		12	.109	2.76	1.282	32.5	1.257	31.9	1.372	34.8	B1293	R-37	M-70	B1294	R-37-A	M-70	
		13	.095	2.41	1.310	33.2	1.285	32.6	1.400	35.5	B1295	R-37	M-71	B1296	R-37-A	M-71	
	1/2	14	.083	2.10	1.334	33.8	1.285	32.6	1.400	35.5	B1295	R-37	M-71	B1296	R-37-A	M-71	
		15	.072	1.82	1.356	34.4	1.331	33.8	1.446	36.7	B1297	R-38	M-71	B1298	R-38-A	M-71	
		16	.065	1.65	1.370	34.8	1.331	33.8	1.446	36.7	B1297	R-38	M-71	B1298	R-38-A	M-71	
	1/2	17	.058	1.47	1.384	35.1	1.331	33.8	1.472	37.3	B1299	R-38	M-72	B1300	R-38-A	M-72	
		18	.049	1.24	1.402	35.6	1.331	33.8	1.472	37.3	B1299	R-38	M-72	B1300	R-38-A	M-72	
		19	.042	1.06	1.416	35.9	1.331	33.8	1.472	37.3	B1299	R-38	M-72	B1300	R-38-A	M-72	
20		.035	0.88	1.430	36.3	1.331	33.8	1.472	37.3	B1299	R-38	M-72	B1300	R-38-A	M-72		